

## **CONDITIONS OF SALE AND WARRANTY**

1. Read carefully this operator's handbook before operating our Rv25 filling machine.
2. M.E.P. guarantees his Rv25 filling machine in case of breakages caused by faulty components or incorrect assembly.
3. Our Rv25 filling machine has a 24-month guarantee which starts from the first operating of the machine (as long as it is within the next 20 days from its leaving our factory). This guarantee is valid only for the first owner of the corking machine.
4. Warranty only consists in replacing the damaged parts and it does include neither refunds for losses caused by the stopping of the machine nor any cost of labour or any transport cost to send the corking machine to a repair shop.
5. Any repair or modification made to the machine by unauthorized personnel will make the warranty decline.
6. We cannot be held responsible for damages due to incorrect use of the corking machine, lack in carrying out the maintenance operations or problems arisen during transport.
7. M.E.P. reserves the right to introduce changes without previous notice to the Rv25 filling machine; however, the supply of spare parts of the previous models will be guaranteed.

## **INDEX**

- |         |   |
|---------|---|
| 1 ..... | Description of the Rv25 filling machine |
| 2 ..... | Technical details                       |
| 3 ..... | Operating directions                    |
| 4 ..... | Maintenance                             |
| 5 ..... | Faults and remedies check list          |

## 1. DESCRIPTION OF THE Rv25 FILLING MACHINE

Our Rv25 filling machine can be used to bottle wine or other food products as long as they are not too thick.

This filling machine is almost entirely made of stainless steel; there are some parts made of synthetic materials (such as delrin and silicone rubber) which do not react either with the air or food products.

### Safety symbols:



General danger



Caution: refer to the operator's handbook

## 2. TECHNICAL DETAILS

This four-spout filling machine operates on falling principle; the four spouts have a conic seal and a 14 mm diameter.

This filling machine can be used with bottles up to 400 mm high, made of glass or undeformable material (deformable plastic bottles can't be used).

As a standard equipment our Rv25 filling machine is supplied as bench version; as an optional equipment it can be supplied with a stainless steel wheeled support.

**Rv25 filling machine**

height: 1050 mm

width: 600 mm

length: 430 mm

weight: 31 kg

**Rv25 filling machine equipped with wheeled support**

height: 1800 mm

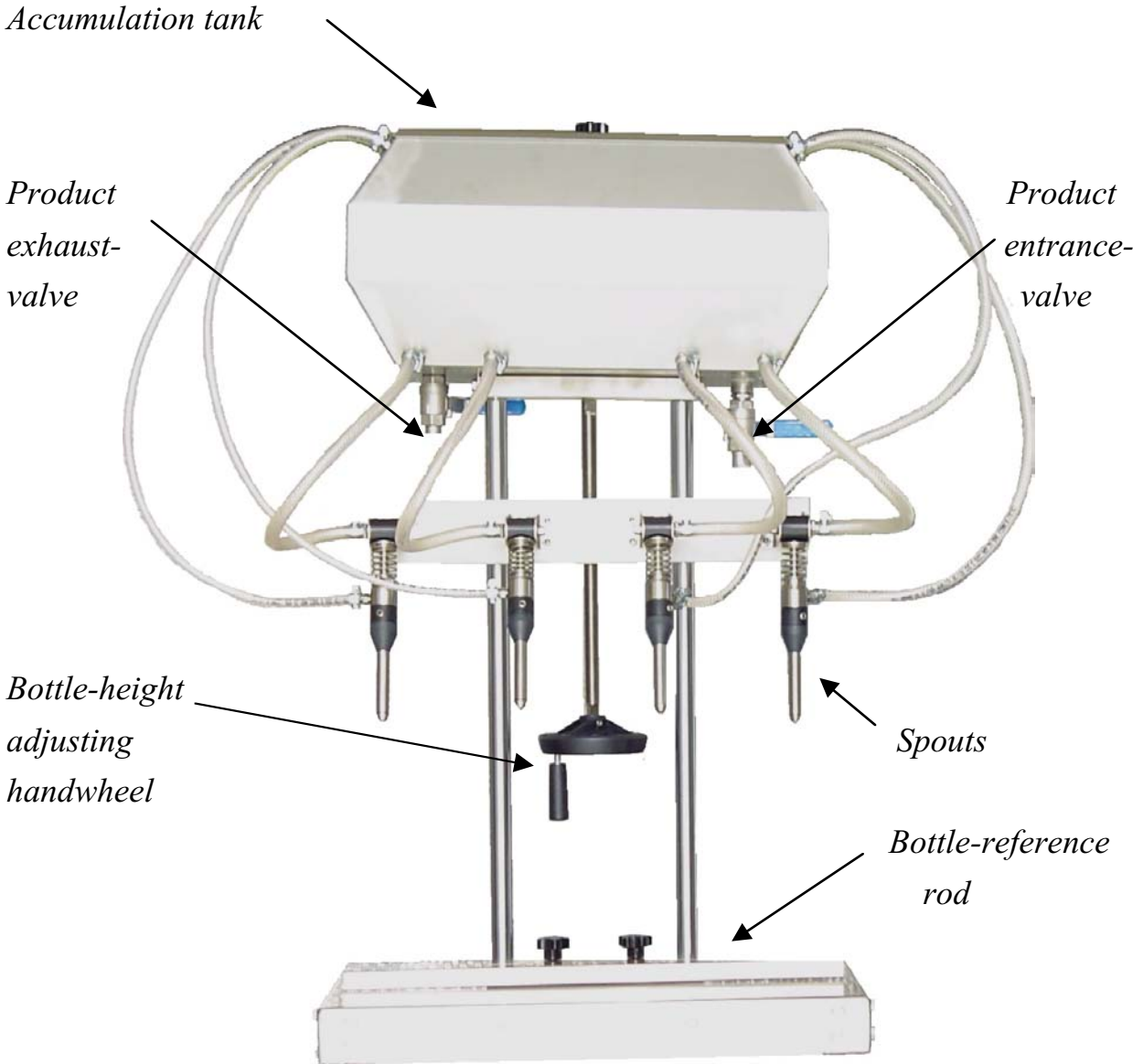
width: 600 mm

length: 430 mm

weight: 40 kg

### **3. OPERATING DIRECTIONS**

- Positioning. Place the Rv25 filling machine on a steady support in a lit up room. In case the filling machine is fitted up with a wheeled support, make sure it is placed on an even ground.



**Picture 1.**

- First insert the end of the product-leading pipe into the pipe-holder of the product entrance-valve (see picture 1) and if necessary secure it through a clamp. Check that the product exhaust-valve is closed (see picture 1).

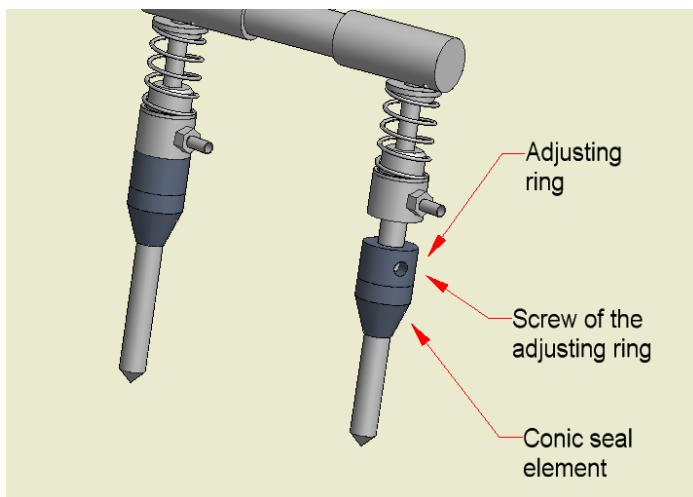
The functioning of the Rv25 filling machine is determined by the filling of the accumulation tank located on the top of the machine (see picture 1). This can be done in two ways: the product which must be bottled can either be lead through a pump or the product entrance-valve can be connected to a tank located higher than the filler. When possible, the second solution is better because the shaking of the product which could be caused by its recirculation through a pump is prevented and all its characteristics are

The level-regulator inside the accumulation tank always ensures the presence of the right quantity of product; so that the filling machine works properly and it prevents it from over-filling.

Now turn a spout, put a bottle onto the bottle-platform of the filling machine and do the same for the others. Inside the bottles the spouts must have their mobile parts raised and the holes must be free to let the product in. If it is not so, turn the handwheel located in the lower part of the filling machine until this condition is obtained (see bottle-height adjusting handwheel, picture 1).

Our Rv25 filling machine is equipped with a bottle-reference rod, whose position can be adjusted by unscrewing the two knobs which hold it and moving it to the position wanted (see picture 1).

To adjust the level of product inside the bottles, you must unscrew the screw of the adjusting rings of the spouts using a hexagonal spanner and lower both the ring and the conic seal (see picture 2). Once you have obtained the level wanted, make the same adjustment to all the spouts and tighten the screws, but be careful not to tighten them too much.



**Picture 2.**

### **IMPORTANT**

Before using the filling machine for the first time or after a long stop, it is advisable to fill some bottles with tepid water.

## **4. MAINTENANCE**

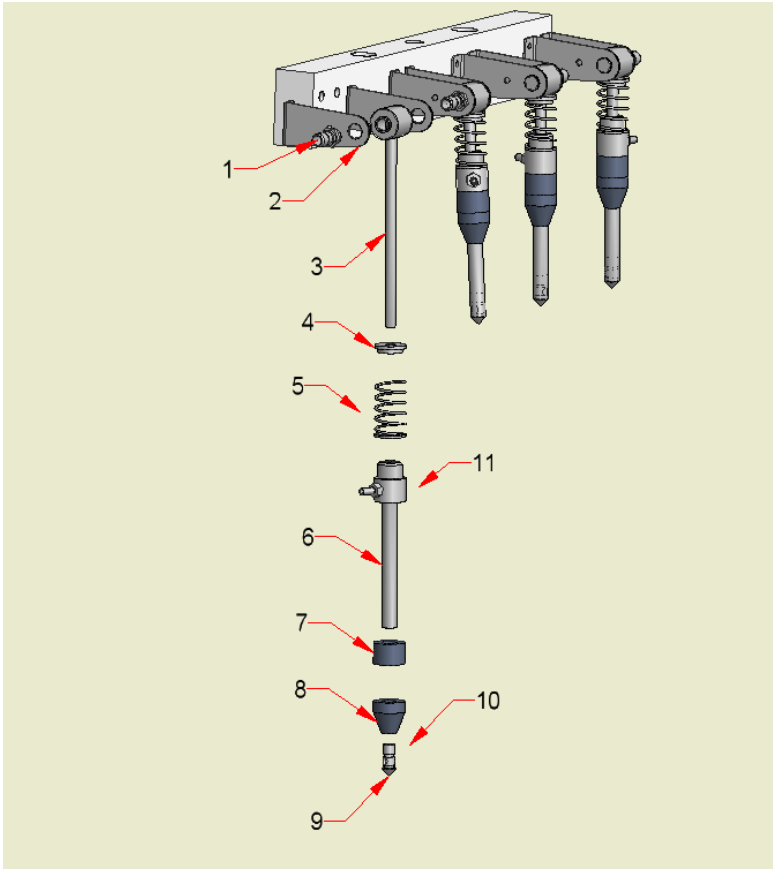
At the end of work, open the product exhaust-valve and empty the accumulation tank.

Then it is advisable to fill some bottles with tepid water to remove the residual products and guarantee a longer life to the gaskets.

For a more accurate maintenance, disassemble every single spout by unscrewing the lower seal (see element no. 9, picture 3); now, their inner part can be cleaned.

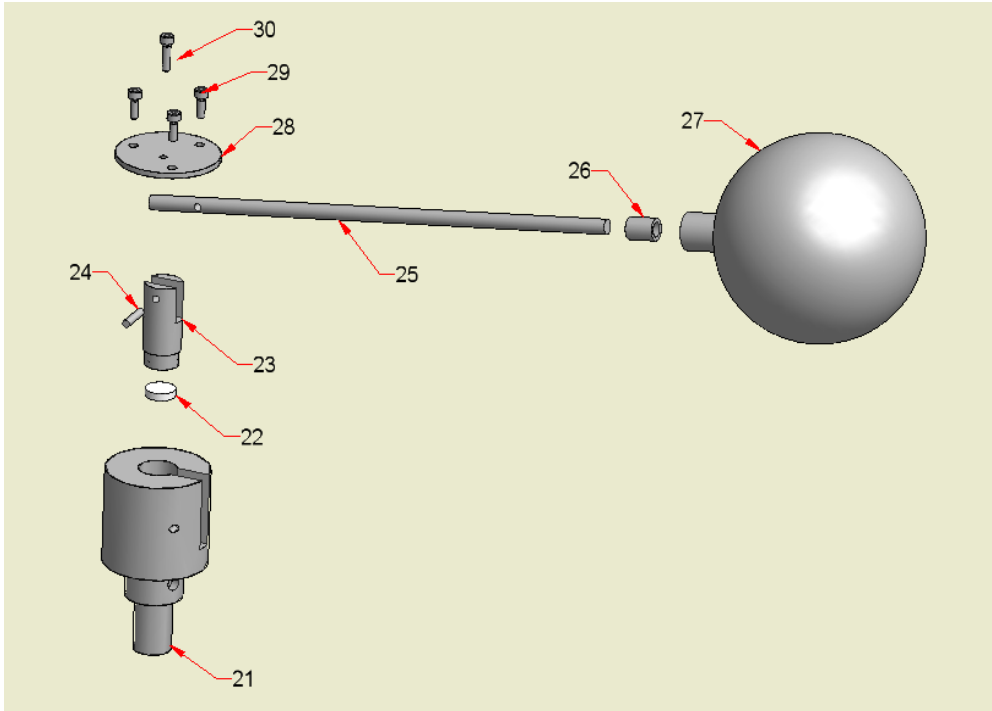
## **5. FAULTS AND REMEDIES CHECK LIST**

- If there is a leak of product, it is advisable to replace the gaskets which are near the dripping (see elements no. 11 and 12, picture 3 ).
- In case the product level inside the accumulation tank is not steady, but it tends to increase, disassemble the round gasket of the level-regulator and change it (see element no. 22, picture 4).



Picture 3.

POSITION	DESCRIPTION	REFERENCE
1	1/4 gas hose-holder	Rmp0510
2	Bent plate	Rmp1015
3	Main duct bushing	Rmp0509
4	Spring upper reference	Rmp0503
5	Spring	Mbl0001
6	Sliding duct	Rmp0504
7	Adjusting ring	Rmp0113
8	Conic seal element	Rmp0105
9	Lower seal element	Rmp0507
10	108 O-ring	Tap0419
11	112 O-ring	Tap0420



Picture 4.

POSITION	DESCRIPTION	REFERENCE
21	Nut	Rmp0803
22	Round gasket	Tap0239
23	Mobile cylinder	Rmp0802
24	M4x18 threaded pin	Tap0354
25	Rod	Rmp0804
26	Pin	Rmp0805
27	Ball of the level-regulator	Tap0240
28	Upper plate	Rmp0808
29	M4x10 cylindrical head screw	Tap0327
30	M4x30 cylindrical head screw	Tap0309