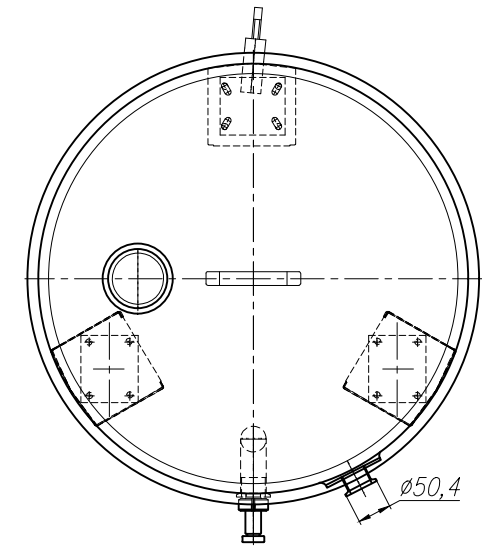
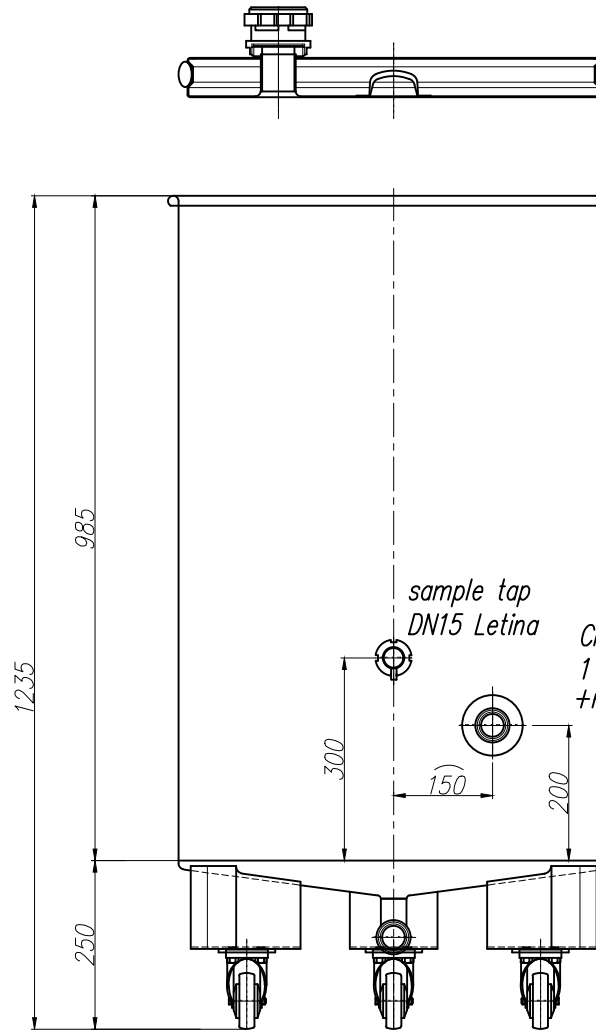
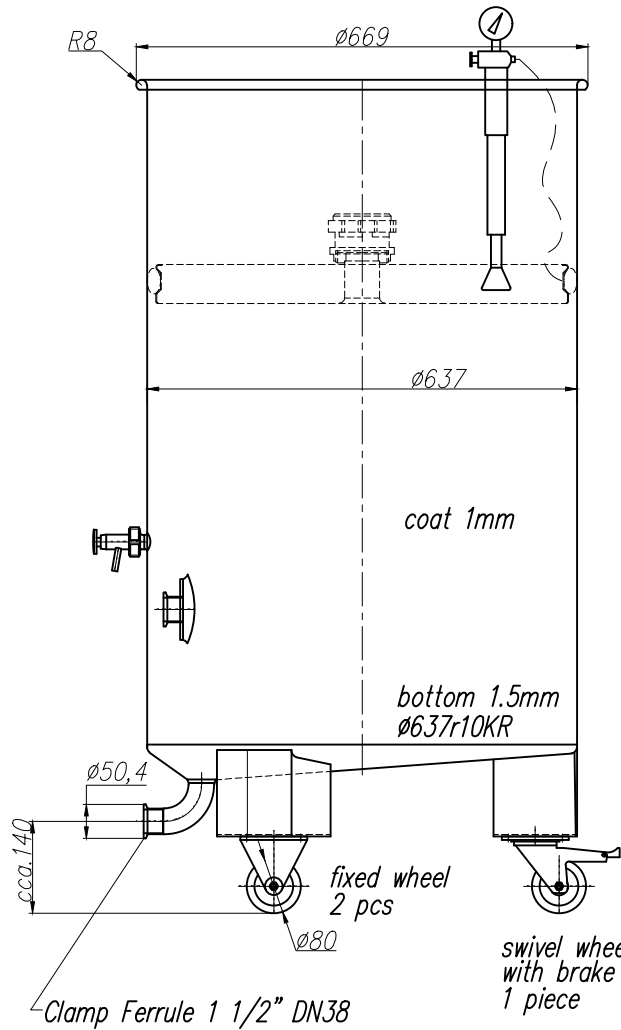



Inside: bright (mirror)  
 Outside: polished with rotatad  
 overlapping pads

pressure/depression  
 compensating valve DN50 (SVS art.211)

pneumatic lid with air tube  
 and pump with manometer CAE art. 1242



P.O number:	Po-2018-02706	Dimenzije:	Godina: 2018.	Datum	Ime	Polpis	
Price: (EUR/piece)	-	Radni nalog:	List:	Konst:	7.12.	M. Vugrinec	
Quantity:	70	Kupac:	Materijal:		W.Nr1.4301 III d (AISI304)		Pozicija broj:
Date of delivery:	-	Mjerilo:	Pozicija:				Sklop broj:
Order confirmation:		Stroj:	Tank PZP320S6		Artiki br.:	110569	

Ver.1  
 Please verify a drawing.

Prilozavamo pravo izmjena.

L:\P\08\2017\02\2018\_Rezini\_Narozni\118618\_St.Patrick's\_PZP320S6\118618\_St.Patrick's\_PZP320S6.dwg